

The Beauty Of Wood,  
The Ease of Vinyl

A New Era In Decking  
Has Dawned



The **AURORA** Decking System  
P.O. Box 608  
One New Street  
West Middlesex, PA 16159

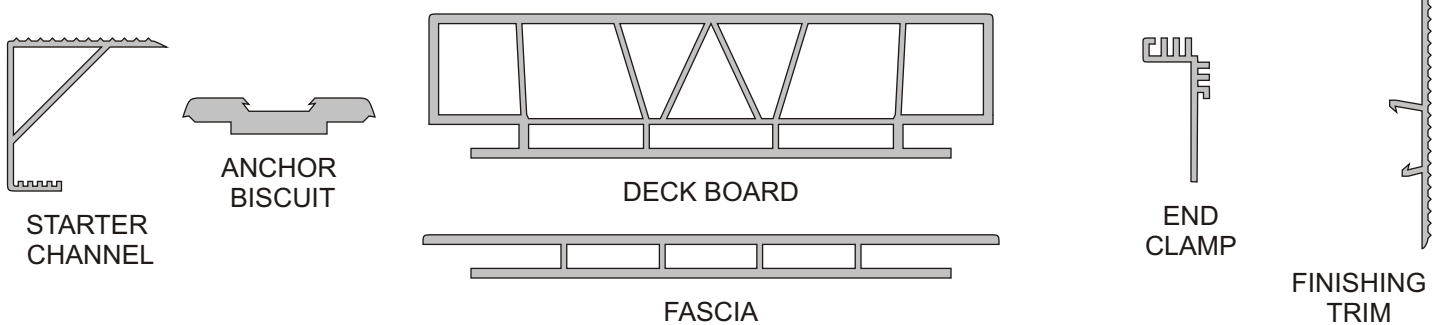
Phone: 877-528-8384  
FAX: 724-528-5903  
e-mail: [info@auroradecking.com](mailto:info@auroradecking.com)  
Website: [www.auroradecking.com](http://www.auroradecking.com)

# INSTALLATION INSTRUCTIONS

## BASIC INSTALLATION SAFETY PRECAUTIONS AND GUIDELINES

- Wear protective goggles when trimming or ripping **AURORA** Decking System materials to safeguard your eyes.
- Wear a dust mask when trimming or ripping **AURORA** Decking System materials to prevent inhaling dust particles.
- Saw slowly with a fine-tooth saw blade or abrasive disk when trimming or ripping **AURORA** deck boards.

## AURORA DECKING SYSTEM COMPONENTS



## STEP BY STEP INSTALLATION GUIDE

**Step 1. Build the deck sub-structure.** Build the deck sub-structure using traditional load-bearing materials, such as pressure treated lumber or steel (see Figure 1). **NEVER** use **AURORA** Decking System materials for joists, posts, beams, studs, columns, or stringers. The deck sub-structure should have joists with standard 16 inch centers. Individuals may wish to consult instructional resources (books or videos) to learn the best methods for constructing a safe and sturdy deck foundation. You may find some helpful links to deck building information by visiting our website at [www.auroradecking.com](http://www.auroradecking.com).

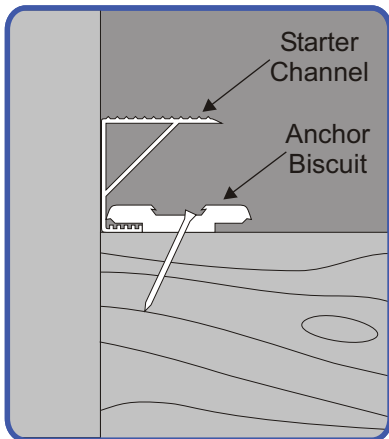


Figure 2

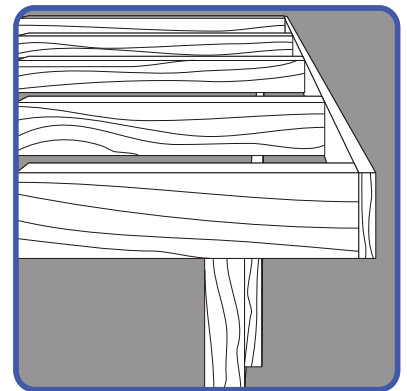


Figure 1

**Step 2. Install starter channel.** Starter channel should be secured to the deck substructure along any edge of the deck surface that will abut a vertical surface (such as the outside wall of a home). Place the flat side of the starter channel against the vertical surface. Use anchor biscuits to push the starter channel snug against the vertical surface. Use a 1½" deck screw to secure the anchor biscuit to the deck substructure (see Figure 2).

**Step 3. Install deck boards.** Slide the first deck board under the top of the starter channel. Push the deck board toward the anchor biscuit until the anchor biscuit arm fills the slot along the deck board. Insert anchor biscuits into the slot along the exposed side of the deck board above each joist. Tap anchor biscuits into the slot using a rubber mallet to ensure a snug fit. Secure the anchor biscuits to the joists using 1½" deck screws (see Figure 3). Slide the slot in the next deck board around the exposed anchor biscuits. Insert anchor biscuits into the exposed slot of the new deck board above the joists. Secure the anchor biscuits to joists with 1½" deck screws. Continue sliding deck board slots around exposed anchor biscuits, and inserting and securing new anchor biscuits, until the entire substructure is covered.

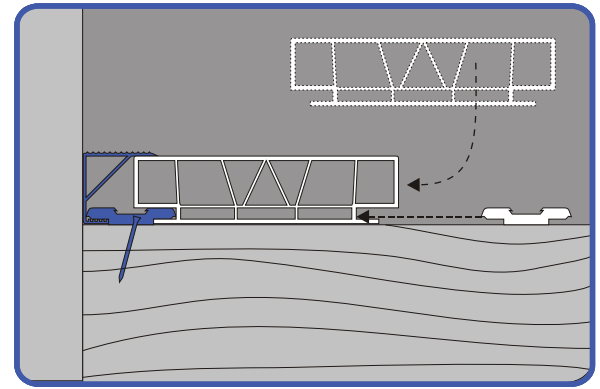


Figure 3

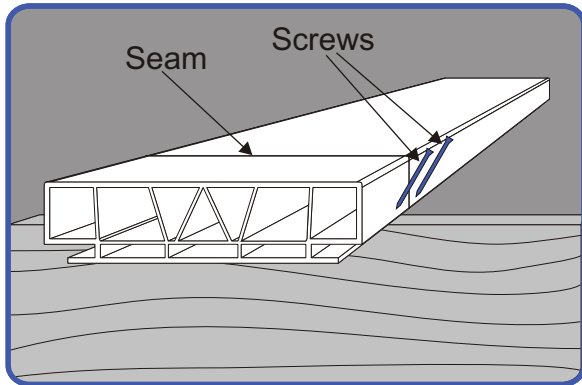


Figure 4

Deck surfaces longer than 20' will require butting deck boards. The seam between butted deck boards should lie directly above a joist. Do not use a biscuit at this seam, but center the seam over the joist, and toenail each deck board down into the joist. Use deck screws at least 2.5" in length.

- Do not have both ends of a deck board butted to other boards.

**Step 4. Finish the exposed deck edges.**

The base plates of deck board must be even with the outside of the rim joists. Use a chalk line to mark the deck boards above the outside edge of the rim joists. Use a circular saw with a fine-tooth blade or abrasive disk to trim the deck boards along the chalk line (see Figure 5).

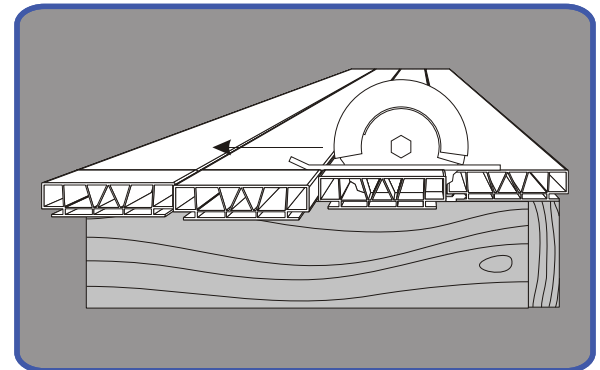


Figure 5

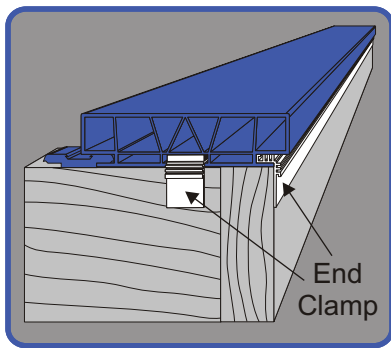


Figure 6

**Step 5.** Insert end clamp strips lengthwise into the slot along the exposed side of outer deck boards. A lower interior wall may need to be removed with a circular saw if the outer deck board has been ripped to size. Cut additional clamp strips into 1" pieces. Insert a 1" end clamp piece into the lower center chamber of every third deck board end (see Figure 6).

**Step 6.** Use anchor biscuits to secure end clamp strips and end clamp pieces to rim joists. Drive a 1½" deck screw through the slot in the anchor biscuit and through the end clamp into the rim joist. Use one anchor biscuit every 16" along the end clamp strips, and one anchor biscuit for every 1" end clamp piece along the end (see Figure 7).

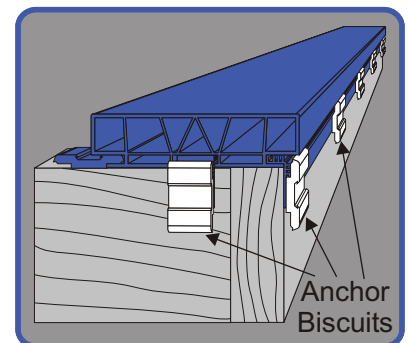


Figure 7

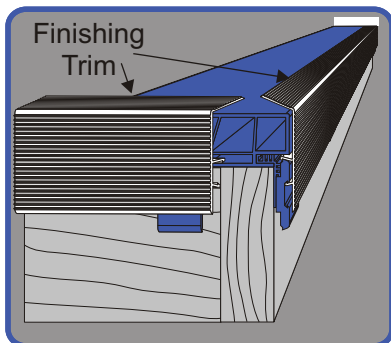


Figure 8

**Step 7.** Snap finishing trim to anchor biscuits to conceal the exposed edges and sides of deck boards (see Figure 8). Finishing trim may be miter cut, or notched and bent, to accommodate deck corners.

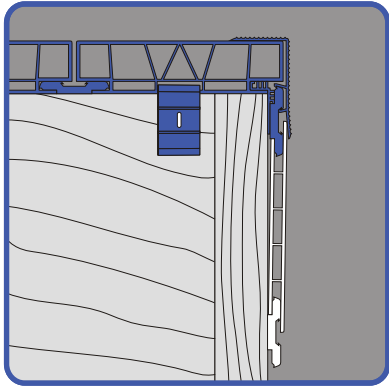


Figure 9

**Step 8.** Slide fascia under the finishing trim and around anchor biscuits to conceal rim joists (see Figure 9). Slide anchor biscuits into the slot along the bottom of the fascia. Place one biscuit every 16" along the bottom of the fascia. Secure each anchor biscuit to the rim joist by driving a 1½" deck screw through the slot.

**Step 9.** Slide the next fascia around the exposed arms of the lower anchor biscuits (see Figure 10). Slide new anchor biscuits into the slot along the bottom of the fascia every 16". Secure each anchor biscuit to the rim joist with a 1½" deck screw. Continue adding fascia and anchor biscuits until the desired portion of the sub-structure is concealed.

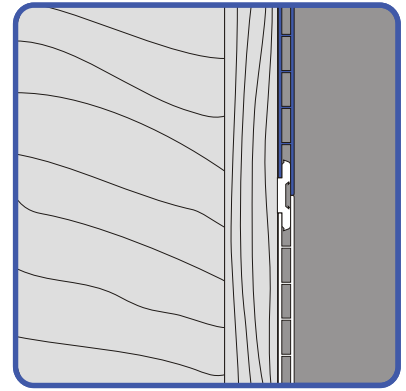


Figure 10

- Miter cut, or notch and bend, fascia and finishing trim for deck corners.

## STEPS

**Step 1.** Use stringers when building steps. Stringers should have a rise of 6 to 7", with a tread depth of 12". Use end clamps, anchor biscuits, and finishing trim to finish the outer edge of the stair tread (as you would for finishing exposed deck edges). Rip fascia to be 1½" smaller than the rise (e.g. fascia for stringers with a 6" rise should be ripped to 4½" in width). Slide the fascia under the finishing trim and around the anchor biscuits with the ripped side facing down. Secure the bottom of the fascia with a deck screw driven through the fascia into the stringer (see Figure 11).

**Step 2.** Trim one side of anchor biscuits for insides of stringer treads. Secure anchor biscuits to stringers with deck screws. Add deck boards and anchor biscuits to cover the entire tread. If a partial deck board (ripped lengthwise) is required to cover a stringer tread, that board should be anchored along the interior tread corner.

**Step 3.** Trim deck board to be flush with the outsides of outer stringers.

- Fascia and finishing trim may be miter cut, or notched and bent, to conceal stringers.

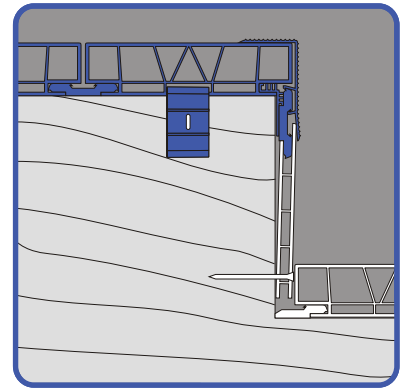


Figure 11

## RAIL POSTS

Secure rail posts to the sub-structure for maximum security. **DO NOT** anchor posts to the decking surface. The following procedures will produce strong and safe deck railing.

**Step 1.** Anchor 4 × 4 rail posts to the interior of rim joists using lag or carriage bolts. Box the interior side of the anchor post.

**Step 2.** Notch **AURORA** Deck boards to fit around the rail posts (see Figure 9). The notch should be ½" wider than the rail post in every direction. The notch for a 4 × 4 rail post should be 4½" wide × the required notch depth + ½".

**Step 3.** Slide the deck board around the rail post and exposed anchor biscuits.

**Step 4.** Use anchor biscuits to secure deck boards to the sub-structure.

**Step 5.** Oversleeve rail posts with vinyl and finish with post caps and post skirts.

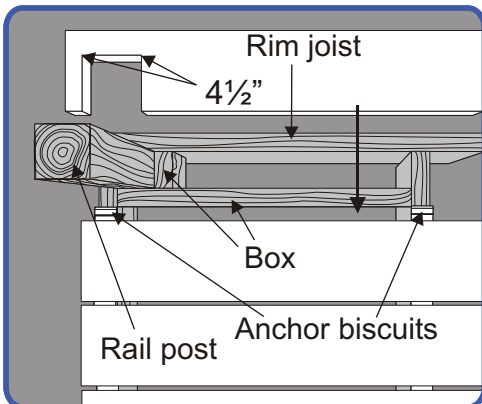


Figure 12

## COVERING CONCRETE PATIOS AND PORCHES

The **AURORA** Decking System may be used to cover concrete patios and porches. The surface of an **AURORA** Decking System used to cover a patio or porch will be approximately 3 inches above the surface of the underlying concrete.

**Step 1.** Anchor 2" • 2" pressure treated wood sleepers to the concrete surface using hammer anchors or masonry screws (see Figure 13). The sleepers perform a similar function to elevated deck joists and should be spaced 16" on center. If using masonry screws, countersink the screws flush with the top of the sleepers.

**Step 2.** If needed, use shims beneath the sleepers to create an even surface .

**Step 3.** Install starter channel and decking as described in the step-by-step installation instructions. Secure anchors by driving 1" deck screws through the anchor biscuit slots into the sleepers.

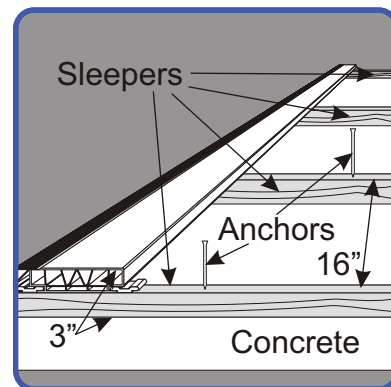


Figure 13

- Do not secure anchor biscuits directly to concrete.

## FULLY TRANSFERABLE LIFETIME LIMITED WARRANTY

Regenex Corporation ("Manufacturer") warrants **AURORA** Decking System products will be free from material defects in workmanship and materials, and will not discolor, split, crack, warp, splinter, check, or suffer structural damage from termites, boring insects, fungal decay, moss, or mildew for the lifetime of the structure upon which the **AURORA** Decking System is installed. The **AURORA** Decking System consists only of deck boards, snap anchors, and trim pieces. The deck substructure materials, railing systems, fasteners, or other items not available from Manufacturer are not part of the **AURORA** Decking System.

This warranty may be transferred to subsequent owners of the property on which **AURORA** Decking System products were originally installed.

Purchaser's sole remedy for any claim whatsoever, whether in contract, warranty, tort, or strict liability, arising out of the use, storage, or possession of **AURORA** Decking System products, including without limitation any claim that **AURORA** Decking System products failed to perform as warranted, shall be replacement with comparable **AURORA** Decking System products. To obtain replacement decking products, the original or subsequent owner must submit proof of the original purchase, and a picture and description of the defective products to: **AURORA** Decking System, P.O. Box 608, One New Street, West Middlesex, PA 16159.

Manufacturer's sole liability under this warranty is replacement of the defective product. This warranty shall not cover, and Manufacturer shall not be responsible for, direct, indirect, incidental or consequential damages including but not limited to costs and expenses incurred with respect to the removal of the defective product or installation of the replacement product, including but not limited to labor and freight.

Some States do not allow the exclusion or limitation of incidental or consequential damages, so the above limitations may not apply to you.

Warranty does not cover and Manufacturer is not responsible for any condition arising from: (1) improper installation of **AURORA** Decking System products; (2) failure to follow **AURORA** Decking System installation guidelines; (3) use of **AURORA** Decking System beyond normal residential use; (4) use of **AURORA** Decking System in an application not recommended by **AURORA** Decking System guidelines or local building codes; (5) movement, distortion, damage, or collapse due to movement of the ground or the supporting structure on which **AURORA** Decking System is built; (6) any act of God (such as flooding, hurricane, lightning, earthquake, tornado, etc.) or extreme environmental conditions (such as excessive pollution or acid rain); (7) fire or other high temperature; (8) improper storage, handling, use, or abuse of **AURORA** Decking System products by the Purchaser or third parties; or (9) use or modification of **AURORA** Decking System products in a manner other than in accordance with Manufacturer's instruction.

No person or entity is authorized by Manufacturer to make, and Manufacturer shall not be bound to any statement or representation as to the performance of **AURORA** Decking System products other than what is contained in this warranty. This warranty shall not be amended or altered except in a written instrument signed by Manufacturer and Purchaser.

The forgoing warranty is exclusive and in lieu of any and all other warranties with respect to **AURORA** Decking System products, expressed or implied, including without limitation, any implied merchantability or fitness for a particular purpose.

Some States do not allow limitations on how long an implied warranty lasts, so the above limitations may not apply to you. This warranty gives you specific legal rights, and you may also have other rights which vary from State to State.